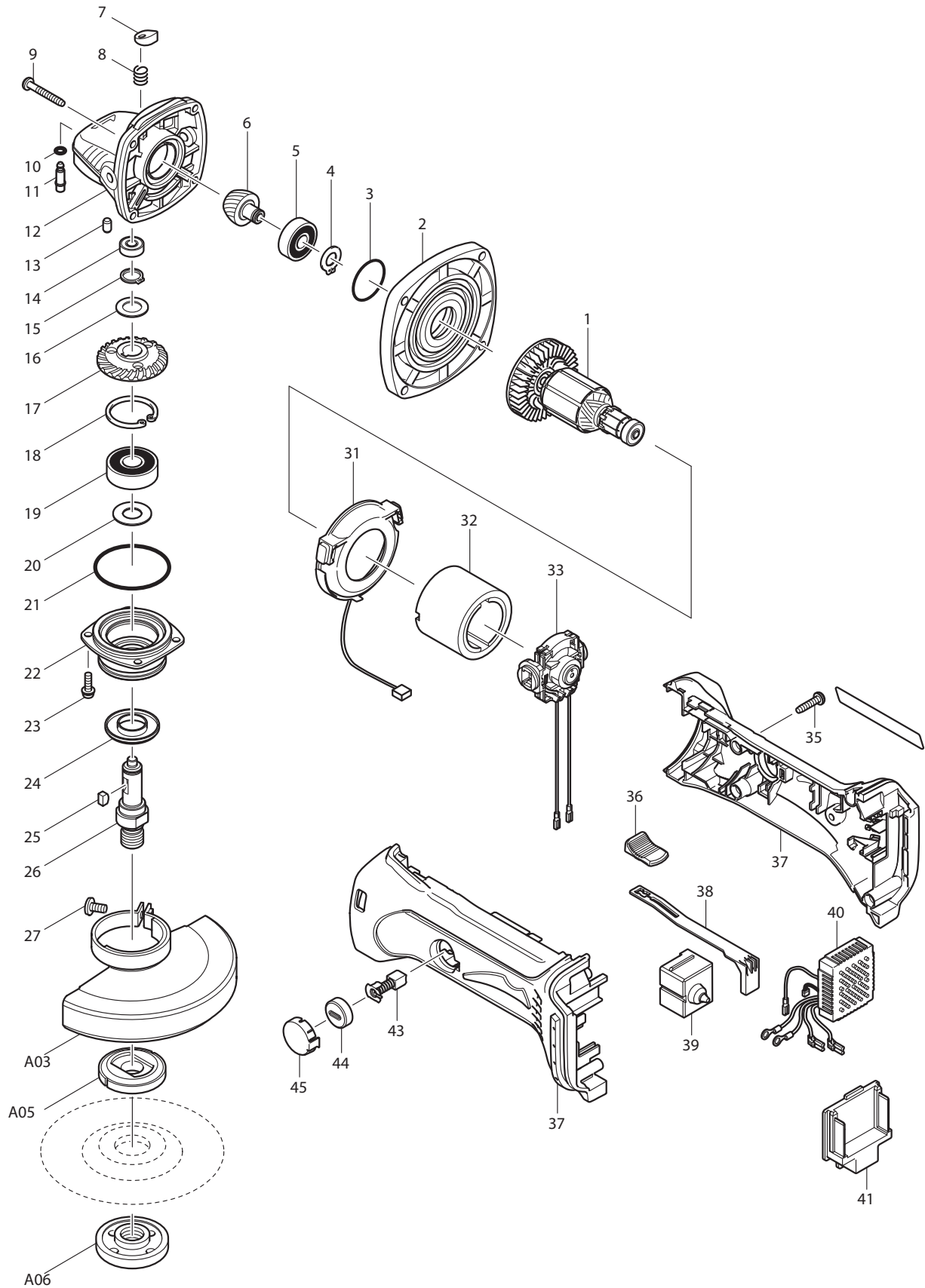




11-2009
BGA450Z
14.4V 4-1/2" GRINDER



Item No	Type	Ref	Part No	Description	Qty	Unit
1			619217-0	ARMATURE	1	PC.
		INC.	421977-0	RUBBER RING 13	1	PC.
2			317821-6	GEAR HOUSING COVER	1	PC.
3			213445-5	O-RING 26	1	PC.
4			961005-4	RETAINING RING S-9	1	PC.
5			210042-8	BALL BEARING 629LLB	1	PC.
6			227501-5	SPIRAL BEVEL GEAR 19	1	PC.
7			417771-6	PIN CAP	1	PC.
8			233072-2	COMPRESSION SPRING 8	1	PC.
9	1		266050-7	TAPPING SCREW 4X30	4	PC.
	2		266361-0	TAPPING SCREW 4X30	4	PC.
10			213960-9	O RING 5	1	PC.
11			256496-5	SHOULDER PIN 4	1	PC.
12			318051-2	GEAR HOUSING	1	PC.
13			263002-9	RUBBER PIN 4	1	PC.
14			210033-9	BALL BEARING 696ZZ	1	PC.
15			961052-5	RETAINING RING S-12	1	PC.
16			253744-3	FLAT WASHER 12	1	PC.
17			227502-3	SPIRAL BEVEL GEAR 39	1	PC.
18			962151-6	RETAINING RING R-32	1	PC.
19			211129-9	BALL BEARING 6201DDW	1	PC.
20			267238-2	FLAT WASHER 12	1	PC.
21			213622-9	O RING 45	1	PC.
22			317819-3	BEARING BOX	1	PC.
23			911121-2	PAN HEAD SCREW M4X14	4	PC.
24			345464-4	LABYRINTH RING	1	PC.
25			254011-9	WOODRUFF KEY 4	1	PC.
26			324474-4	SPINDLE	1	PC.
27			265103-9	PAN HEAD SCREW M5X14	1	PC.
31			631714-6	LED CIRCUIT	1	PC.
32	1		638376-1	YOKE UNIT	1	PC.
	2		638627-2	YOKE UNIT	1	PC.
33			638448-2	ENDBELL COMPLETE	1	PC.
35	1		265995-6	TAPPING SCREW 4X18	5	PC.
	2		266326-2	TAPPING SCREW 4X18	5	PC.
36			419566-3	SWITCH KNOB	1	PC.
37	1		188282-5	HOUSING SET	1	SET
	2		188703-7	HOUSING SET	1	SET
38			419519-2	SWITCH LEVER	1	PC.
39			650579-7	SWITCH 1246.3223, SINGLE	1	PC.
40			631712-0	CONTROLLER	1	PC.
41	1		643811-6	TERMINAL	1	PC.
	2		643847-5	TERMINAL	1	PC.
43	1		191971-3	CARBON BRUSH CB-430, 2PCS/SET, W/O ORIGIN - N/L/A	1	SET
	2		195018-5	CARBON BRUSH CB-430, 2PCS/SET, W/ ORIGIN	1	SET
44			643954-4	BRUSH HOLDER CAP	2	PC.
45			419518-4	HOLDER CAP COVER	2	PC.
ACCESSORIES		- See catalogue or visit www.makita.ca for optional accessory -				
A01			158237-4	GRIP 36 COMPLETE	1	PC.
A02			782424-9	LOCK NUT WRENCH 28	1	PC.
A03			135103-2	WHEEL COVER ASS'Y (F/CUT-OFF)	1	PC.
		INC.		Item No. 27		
A03			125267-0	WHEEL COVER ASS'Y (F/D.C.W)	1	PC.

Item No	Type	Ref	Part No	Description	Qty	Unit
		INC.		Item No. 27		
A04			D-20105	THIN CUT-OFF 4-1/2" F/STN 10/PK	1	PC.
A05			224399-1	INNER FLANGE 45	1	PC.
A06			224568-4	LOCK NUT 5/8-45	1	PC.
			193048-0	SANDING LOCK NUT 5/8-48, PACKAGED	1	PC.
A07			794592-6	ABRASIVE DISC 115 #40, HOOK&LOOP, UNI	1	PC.
			794594-2	ABRASIVE DISC 115 #80, HOOK&LOOP, UNI	1	PC.
			794596-8	ABRASIVE DISC 115 #180, HOOK&LOOP, UNI	1	PC.
A08			743036-3	RUBBER PAD 100	1	PC.
A09			194066-1	14.4V LI-ION BATTERY BL1430	1	PC.
A10			DC18RA	CHARGER DC18RA	1	PC.